

## PSE 31\_-8 with brushless DC motor

### Positioning of auxiliary and positioning axes



#### Special features

- complete solution including motor, gear, controller, absolute measuring system and bus interface
- easy mounting due to hollow shaft
- quickly recoups automation costs by considerably reducing setup time
- eliminates the need for reference runs
- jog key operation for manual positioning without engaging the external control module (optional)
- address may be set using the BUS or a manual decade switch, (Sercos III / EtherCat optional)

#### Technical data

nominal power output	25 W
start-up duration	30 % (basis time 300 s)
supply voltage	24 VDC ± 10 % galvanic separation between control unit and motor
nominal current	2 A
power consumption (control unit)	0.1 A
positioning accuracy position data are acquired directly at the output shaft	0.9 °
positioning range	256 rotations, no mechanical limits
shock resistance as stipulated in DIN IEC 68-2-27	50 g 11 ms
resistance to vibration as stipulated in DIN IEC 68-2-6	10...55 Hz 1.5 mm / 55...1000 Hz 10 g / 10...2000 Hz 5 g
testing	CE
output shaft	8 H9 hollow shaft with adjustable collar
maximum axial thrust	20 N
maximum radial force	40 N
ambient temperature	0...45 °C
storage temperature	-10...70 °C
protection class	IP 54
weight	700 g

nominal power	nominal torque	self-holding torque	nominal rated speed	A model
25 W	1 Nm	0.5 Nm	230 min <sup>-1</sup>	311-8
25 W	2 Nm	1 Nm	115 min <sup>-1</sup>	312-8
25 W	5 Nm	2.5 Nm	40 min <sup>-1</sup>	315-8

data interface	B
CANopen / DS 301	C
Profibus DP (switchable bus terminator)	DP
DeviceNet	DN
Sercos III	S3
EtherCat	EC

Bus cable may be looped through (optional)

instrument connections	C
Standard (round socket for power supply and bus)	S
Standard + 2nd connection for data bus (data bus looped through)	B
Standard + connection to jog keys for manual operation*	T
Standard + connection to jog keys for manual operation + 2nd connection to data bus*	TB

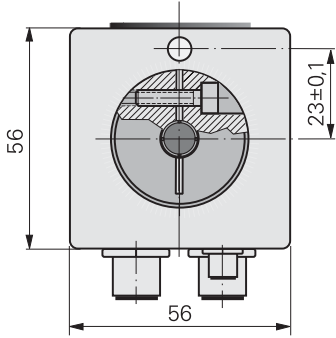
\*not for Sercos III / EtherCat

optional address switch Sercos III / EtherCat	D
no address switch	OA
with address switch	MA

#### Order key

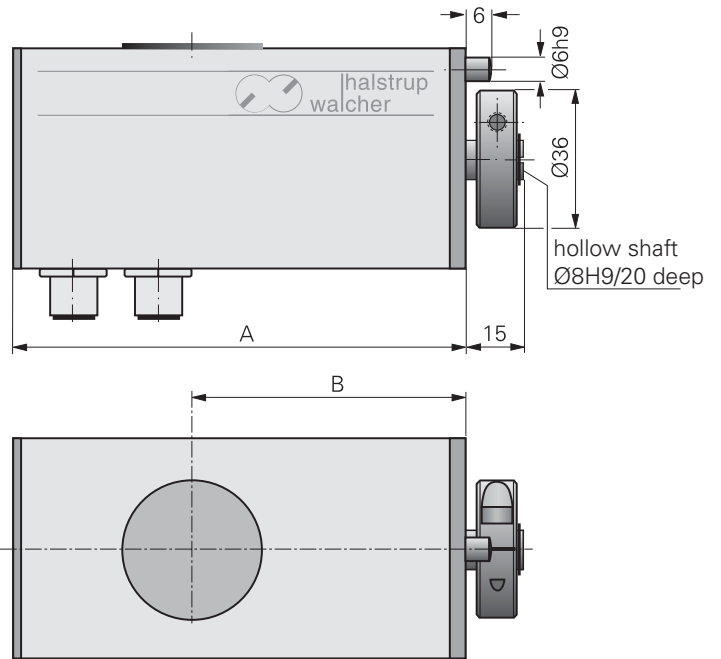
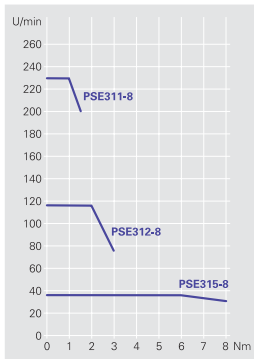
	A	B	C	D
PSE - [ ] - [ ] - [ ] - [ ]				
accessories (connectors) 9601-xxxx	C/DP	DN	S3/EC	
<input type="checkbox"/> Standard (connector for bus and power supply)	-0059	-0087	-	
<input type="checkbox"/> Standard + 2nd data bus connector	-0060	-0088	-0112	
<input type="checkbox"/> Standard + jog key connector	-0061	-0089	-	
<input type="checkbox"/> Standard + 2nd data bus connector + jog key connector	-0062	-0090	-	

**PSE 31\_-8 with brushless DC motor**  
**Dimension drawing**

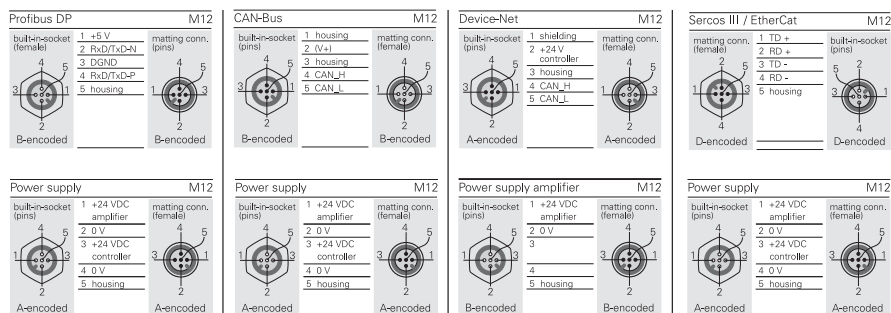


	A With/without optional connector	B
PSE311	115/100	70
PSE312		
PSE315	127/112	82

**Characteristic line**



**Connection diagram**



**Functional block diagram**

